

# Super SAM 325

SAM sets the world standard for excellence. Designed and manufactured by the inventors of the Spring Assisted Mechanism (SAM) and Dynamic Sub Frame (DSF). The SAM system is low-maintenance (no hydraulic oil or electricity needed) and easy to operate. One step easy set-up system, within 5 seconds 1 person can set the basketball backstop into the right game position.



Ref. 1612000



## Technical Specifications

- Projection: 325 cm.
- Positioning: Lifting and lowering by use of SAM system (Spring Assisted Mechanism): easy, safe and low-maintenance. Fine tuning of the ring height for perfect adjustment in game position.
- Stability: Patented DSF system (Dynamic Sub Frame): when raising the unit, the base frame automatically lowers onto the floor. This ensures the basketball backstop is immediately in the right game position and the weight is evenly distributed.
- Backstop: Strong and stable, white coated high-tensile strength steel frame. Lifetime maintenance free pivot bearings, 100% enclosed counter weights.
- Wheels: 2 triple swivel wheels in the front and 2 triple fixed wheels in the rear for optimal weight distribution, all with bearings for great mobility.
- Backboard: Patented dunk-proof 12 mm glass with a full-perimeter steel frame and cut-out for the ring.
- Ring: Pro-Action 180° multi-directional, top competition breakaway dunk ring, with concealed net attachments.
- Net: Sturdy nylon Anti-Whip basketball net, 6 mm.
- Padding: Impact area padding on both the front and sides of the base frame. Standard colour Schelde blue. Backboard protection padding is made of high density PU foam.  
Optional: paddings can be personalized. Contact us for further information.
- Dimensions: Storage position (lxwxh) ca 5,22x1,90x2,10 cm Automatic beam lock in storage position.  
Playing position (lxwxh) ca 585x190x395 cm. Automatic snap lock on telescope in playing position
- Transport: Equipped with openings for a forklift truck for transport over longer distances
- Anchored: Floor hook at the rear of the frame. 2 positioning pins for quick and precise installation on the court.  
Floor connector set included: for both PU floors and suspended floors
- Standard: in accordance with EN-1270.
- FIBA level: FIBA Level 1 approved



Storage position



Ring height 260 cm



Ring height 305 cm

Latest update: January 2016

### International

E-mail: [export@scheldesports.nl](mailto:export@scheldesports.nl)  
[www.scheldesports-international.com](http://www.scheldesports-international.com)

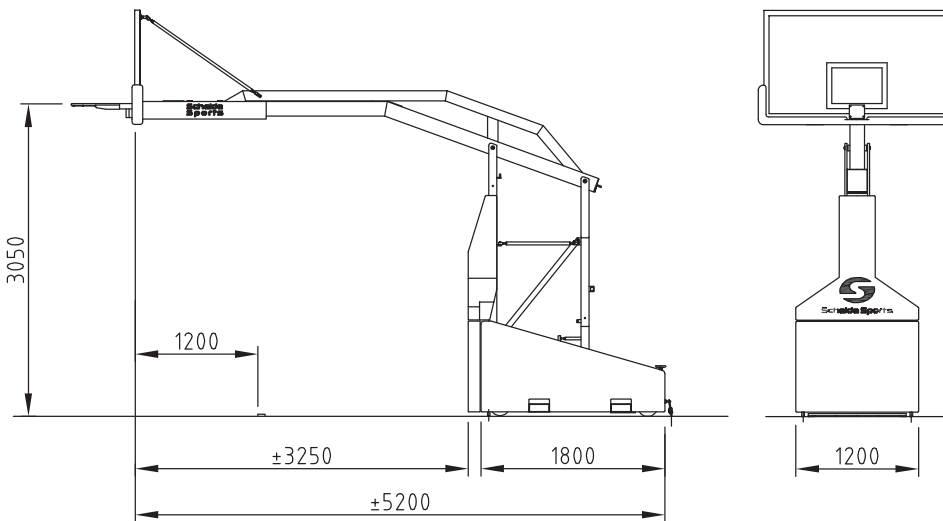
### The Netherlands

E-mail: [verkoop@janssen-fritsen.nl](mailto:verkoop@janssen-fritsen.nl)  
[www.janssen-fritsen.nl](http://www.janssen-fritsen.nl)

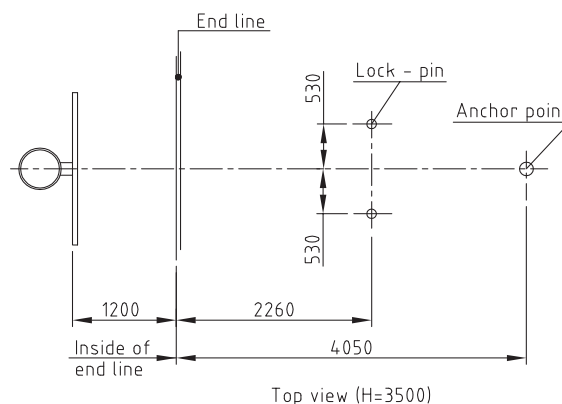
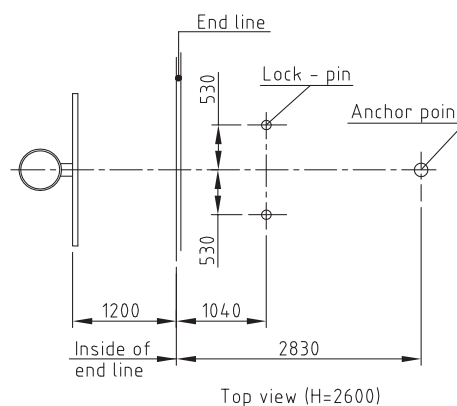
### Belgium

E-mail: [info@janssen-fritsen.be](mailto:info@janssen-fritsen.be)  
[www.janssen-fritsen.be](http://www.janssen-fritsen.be)

Measurements in game position



Measurements for anchoring system



Super SAM 325

Weight/floor pressure

Total weight 1,445 kg

Total load on wheels in transport position:

Front wheels 705 kg

Rear wheels 740 kg

Floor pressure in transport position:

Front wheels 2x3 6,5 kg/cm<sup>2</sup>

Rear wheels 2x3 6,8 kg/cm<sup>2</sup>

Total load in game position:

Front (DSF/Pedestal Feet) 1.010 kg

Rear (wheels) 435 kg

Floor pressure in game position:

Rear wheels 2x3 4,5 kg/cm<sup>2</sup>

DSF Dynamic Sub Frame 2,0 kg/cm<sup>2</sup>

Floor Pressure while dunking (dunk & let loose)

Dynamic Sub Frame 3,3 kg/cm<sup>2</sup>

Floor Pressure while extreme dunking

Dynamic Sub Frame 5,66 kg/cm<sup>2</sup>

Safety zone (backboard to front of impact area) 325 cm

Distance from inside end line to nearest wall needed for setup with AUTOMATIC DSF is 525 cm. If distance is less, MANUAL DSF option is required. Minimum distance required for use with MANUAL DSF is 405 cm from inside end line to nearest wall.

Latest update: January 2016

International

E-mail: [export@scheldesports.nl](mailto:export@scheldesports.nl)  
[www.scheldesports-international.com](http://www.scheldesports-international.com)

The Netherlands

E-mail: [verkoop@janssen-fritsen.nl](mailto:verkoop@janssen-fritsen.nl)  
[www.janssen-fritsen.nl](http://www.janssen-fritsen.nl)

Belgium

E-mail: [info@janssen-fritsen.be](mailto:info@janssen-fritsen.be)  
[www.janssen-fritsen.be](http://www.janssen-fritsen.be)